



**LET US BE
YOUR BEST
PARTNER!**




세보전자
 (LED컨버터, SMPS)



대표이사 **한 대 희**

세보전자
 경기도 부천시 송내대로 30번길 13 송내테크노밸리 402, 401B호
 M. 010-5448-2768 T. 032-651-2767 F. 032-651-2768
 E-mail. iou6767@nate.com [Homepage. www.sebosmps.co.kr](http://www.sebosmps.co.kr)


SEBO
 Electronics
 (LED Driver, SMPS)



Assistant Manager,
 Overseas Division **Tony(YONG KWANG) KIM**

SEBO Electronics
 401B Songnae Techno-valley, 13 Songnae-daero 30Beon-gil,
 Bucheon-si, Gyeonggi-do, Korea
 M.+82-10-7257-2768 T.+82-32-665-2768 F.+82-32-651-2768
 E-mail. kyk9020@gmail.com [Homepage. www.sebosmps.co.kr](http://www.sebosmps.co.kr)



**(14720) 401B Songnae Techno-valley, 13 Songnae-daero
 30Beon-gil, Bucheon-si, Gyeonggi-do, Korea**

**T.+82 - 32 - 651 - 2767
 F.+82 - 32 - 651 - 2768**

Homepage. www.sebosmps.co.kr

**The first
compact slim
design in Korea**

**100%
self-production
and development**

**Reliable
SMPS with
high efficiency**

**IP68 complete
waterproof**

**OTP, OCP, OVP
functions**

The next innovative SMPS

**We'll BE There If Light Is There
Advanced & Smart LED power solution**

Company Overview

Safe, Efficient, Bright, Optimal

The best LED POWER SOLUTION for you!

WHO WE ARE

SEBO Electronics, a leading company in Korea, we specialize in manufacturing LED power supplies; SMPS.

We boast 100% complete self-production system with thorough quality control management. Our goal is to build up mutual trust between our valuable customers and us with the best quality product.

To satisfy our customer 's demand in the competitive global market, we launched new product line which reduce the size significantly and improve work efficiency with high-end design and IP68 grade water-resistance.

We work together with our customers to create the value for the bright world.

WHAT WE PURSUE

Customer-oriented

: Focus on customer to establish the mutual trust

Technical strengths:

: Invest technology for improvement

Global Leading company:

: Become a pioneer in the field of LED Driver market

Our History

- 2013.** SEBO Electronics. Co., Ltd was formed
- 2015.** Released "SBE Series" (1260~12300W)
Acquired European Conformity "CE"
- 2016.** Participated in Korea Expo-KOSIGN 2016
Enrolled Venture-in association
Set up R&D exclusive department
ISO 9001 Certificate
- 2017.** Launched "Premium Series" (60~300W)
-IP68, New slim type, EMC, OTP function
Participated in Korea Expo -KOSIGN 2017
Nominated as an Inno-Biz Company
- 2018.** Participated in DUBAI Expo -SGI DUBAI 2018
Participated in 2018 G-Trade Export Expo of the Middle East
Participated in 2018 ASEAN DAY
Released new PREMIUM Series (60~400W/ 12,24V) and LNS Series
Participated in Korea Expo -KOSIGN 2018
Nominated Export Frontier Enterprise by Gyeonggi Provincial Government
- 2019.** "SBE Series" (1260~12300) CB certificate
- 2020.** "PREMIUM Series" (60~300) CB certificate
"SBE Series" SASO certificate
"LNS Series" (60,100) CB certificate
- 2021.** "PREMIUM Series" (60~300/24V) CB certificate
- 2022.** "PREMIUM Series" SASO certificate
- 2023.** "SBE Series" (1260F~12300F) CB certificate

PREMIUM Series | Export, Outdoor

PREMIUM Series | Domestic, Outdoor



- Constant Voltage mode
- Suitable for outdoor LED sign and lighting
- 2 years warranty
- Aluminum Case, IP68



- Constant Voltage mode
- Suitable for outdoor LED sign and lighting
- 1 year warranty
- Aluminum Case, IP68



	PREMIUM 60W	PREMIUM 100W	PREMIUM 150W	PREMIUM 200W	PREMIUM 300W	
POWER	60W	100W	150W	200W	300W	
AC Input Voltage	200 - 240V~, 50/60Hz					
AC Input Current	0.5A	0.76A	1.1A	1.4A	2.5A	
DC Output	12V	4.5A	7.6A	11.3A	16A	23A
	24V	2.3A	3.8A	5.65A	8A	11.5A
Efficiency	92%					
Dimension(mm)	128×38.6×26.7	148×38.6×26.7	123×50.7×35	141×50.7×35	171×50.7×35	
Weight(kg)	0.25kg	0.3kg	0.4kg	0.43kg	0.53kg	

	PREMIUM 60W	PREMIUM 100W	PREMIUM 150W	PREMIUM 200W	PREMIUM 300W	PREMIUM 400W	PREMIUM 500W	PREMIUM 600W	
POWER	60W	100W	150W	200W	300W	400W	500W	600W	
AC Input Voltage	200 - 240V~, 50/60Hz								
AC Input Current	0.5A	0.76A	1.1A	1.4A	2.5A	2.93A	3.78A	4.5A	
DC Output	12V	4.6A	7.6A	11.3A	16A	23A	30A	37A	45A
	24V	2.3A	3.8A	5.65A	8A	11.5A	15A	19.5A	22.5A
Efficiency	92%								
Dimension(mm)	128×38.6×26.7	148×38.6×26.7	123×50.7×35	141×50.7×35	171×50.7×35	211×65×39.7	243×79.4×60	293×79.4×60	
Weight(kg)	0.25kg	0.3kg	0.4kg	0.43kg	0.53kg	1.0 kg	1.5kg	2.5kg	

SBE Series | Export, Outdoor



- Constant Voltage mode
- Suitable for outdoor LED sign and lighting
- 3 years warranty
- Aluminum Case, IP68



	SBE-1260	SBE-12100	SBE-12150	SBE-12200	SBE-12300
POWER	60W	100W	150W	200W	300W
AC Input	200 - 240V~, 50/60Hz				
	0.5A	1.05A	1.35A	1.6A	2.15A
DC Output	4.5A	7.6A	11.3A	16A	23A
Dimension(mm)	128×38.6×26.7	178×51.5×38	175×69×50.5	185×69×50.5	210×69×50.5
Weight(kg)	0.250kg	0.526kg	0.7kg	0.783kg	1.01kg

SBE Series | Export, Outdoor



- Constant Voltage mode
- Suitable for outdoor LED sign and lighting
- 3 years warranty
- Aluminum Case, IP68



	SBE-1260F	SBE-12100F	SBE-12150F	SBE-12200F	SBE-12300F
POWER	65W	110W	165W	215W	330W
AC Input	200 - 240V~, 50/60Hz				
	0.5A	1.05A	1.35A	1.6A	2.15A
DC Output	5A	8.33A	12.5A	16.6A	25A
Dimension(mm)	128×38.6×26.7	178×51.5×38	175×69×50.5	185×69×50.5	210×69×50.5
Weight(kg)	0.250kg	0.526kg	0.7kg	0.783kg	1.01kg

SBE Series | Domestic, Outdoor



- Constant Voltage mode
- Suitable for outdoor LED sign and lighting
- 1 year warranty
- Aluminum Case, IP68



	SBE-12100	SBE-12150	SBE-12200	SBE-12300	SBE-12400	SBE-12500
POWER	100W	150W	200W	300W	400W	500W
AC Input	200 - 240V~, 50/60Hz					
	1.05A	1.35A	1.35A	2.15A	2.93A	3.0A
DC Output	10A	12.5A	16A	22A	30A	32A
Dimension(mm)	178×51.5×38	175×69×50.5	185×69×50.5	210×69×50.5	250.5×79.5×60	270.5×79.5×60
Weight(kg)	0.526kg	0.7kg	0.783kg	1.01kg	1.354kg	1.467kg

KS Series | Domestic, Outdoor



- Constant Voltage mode
- Suitable for outdoor LED lighting and street lamp
- 2 year warranty
- Aluminum Case, IP68



		SBE-1230KS	SBE-1260KS	SBE-12100KS	SBE-12150KS	SBE-12200KS	SBE-12300KS
POWER		30W	60W	100W	150W	200W	300W
AC Input Voltage		90 - 264V~, 50/60Hz				200 - 240V~, 50/60Hz	
AC Input Current	110V	0.3A	0.56A	1.06A	1.6A	1.06A	1.4A
	220V	0.15A	0.28A	0.53A	0.8A		
DC Output	12V	2A	4.6A	7.5A	11.5A	16A	23A
	24V	1A	2.3A	3.75A	5.75A	8A	11.5A
Power Factor / Efficiency		PF≥0.95 / 92%					
Dimension(mm)		157×28×18.2	148×38.6×26.7	141×50.7×35	171×50.7×35	171×50.7×35	211×65×39.7
Weight(kg)		0.13kg	0.25kg	0.4kg	0.43kg	0.53kg	1.0 kg

LNS Series | Domestic, Indoor



- Constant Voltage mode
- Suitable for **indoors** LED lighting and application
- 1 year warranty
- Plastic Case, **IP65**
- **12V/24V** DC output



	LNS 30W	LNS 60W	LNS 100W
POWER	30W	60W	100W
AC Input Voltage	200 - 240V~, 50/60Hz		
AC Input Current	0.3A	0.52A	0.76A
DC Output	12V	2A	4.6A
	24V	1A	2.3A
Power Factor / Efficiency	84%	92%	
Dimension(mm)	157×28×18.2	148×32×18.5	
Weight(kg)	0.13kg	0.15kg	

LED Lamp | Domestic, Outdoor

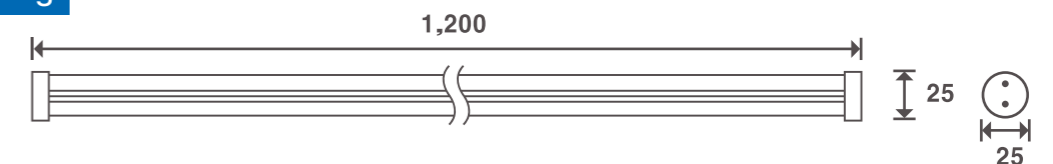


- Built-in SMPS type
- 1 year warranty
- Plastic Case, **IP67**

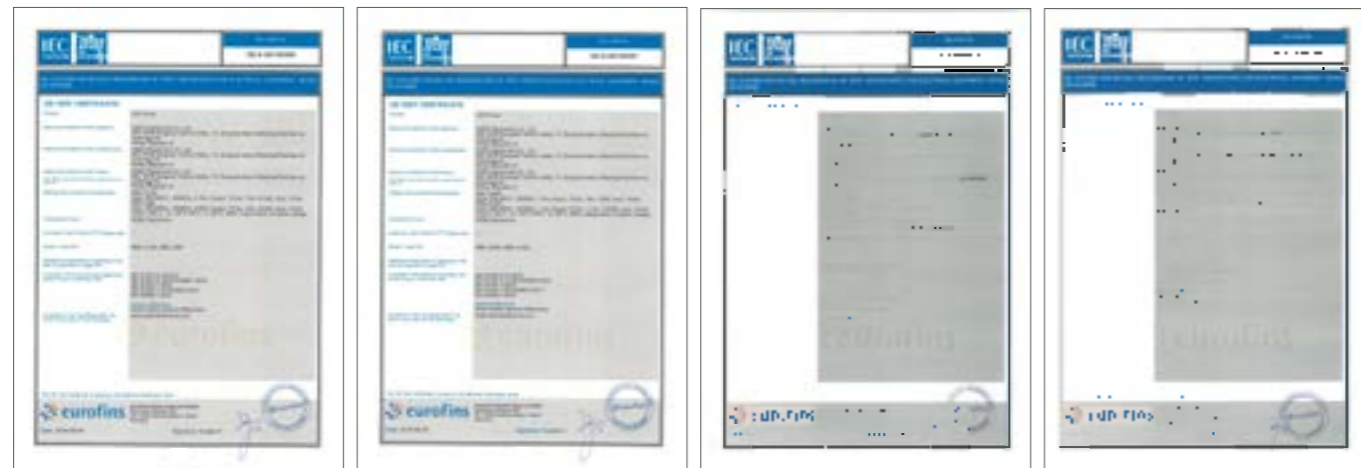


	For front sign	For protruding signboard
Input Voltage	AC 210~230V	AC 210~230V
Power	18W	30W
Direct illumination	1M : 420 lux 2M : 120 lux 3M : 50 lux	1M : 420 lux 2M : 120 lux 3M : 50 lux
Color temperature	7500K	7500K
Orientation angle	145°	145°
Operating temperature	-10~40°	-10~40°
Luminance	1,800 lm	3,200 lm
Housing material	PC	PC
Dimension(mm)	1200×25	1200×25
Weight(g)	200g	300g
Waterproof grade	IP67	IP67

Product Drawing



Certificates



Construction case



User Manual



BEFORE YOU BEGIN

Please read below instruction completely and carefully.

1. Safety regulations

1.1 Proper use

- 1.1.1 SEBO LED Drivers are designed for operation of LED light modules. Use a product ONLY for its intended purpose.
- 1.1.2 LED Driver must be installed by a qualified electrician who is familiar with the installation and operation manual.
- 1.1.3 Make sure that the product has a right capacity conforming to what you intend to use before installation.
- 1.1.4 Use only a rated input voltage indicated on the product label.
- 1.1.5 Recommend you to operate the unit until 70% of work load.
- 1.1.6 Stacking up the products is firmly restricted since it interferes in heat dissipation.
- 1.1.7 Improper use can result in personal injury also malfunction or damage to property

1.2 Dangers

Disconnect all of the powers of entire lighting system before activating the the system to avoid explosion due to over current or over voltage.

1.3 Environment

DO NOT place the product at the following environments to avoid any bad influence upon the life and reliability of the product.

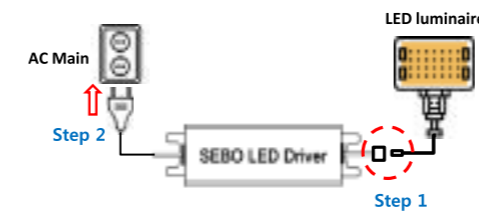
- a. At poor ventilation of a high ambient temperature.
- b. At volatile or inflammable substances.
- c. At Corrosive and explosive hazardous gases and liquids
- d. At direct sunlight reaches the product
- e. At intense vibration and shocks.

2. Protection function

All of SEBO LED drivers have protective functions against inrush over current(O.C.P), short-circuit at output(S.C.P), overload and over voltage at output(O.V.P). Furthermore, all of them are equipped with over temperature protection (O.T.P)as well. Thus, latch mode which shut down the driver automatically to protect itself will be activated when temperature of case reaches at more than 95°C.

3. Installation guideline

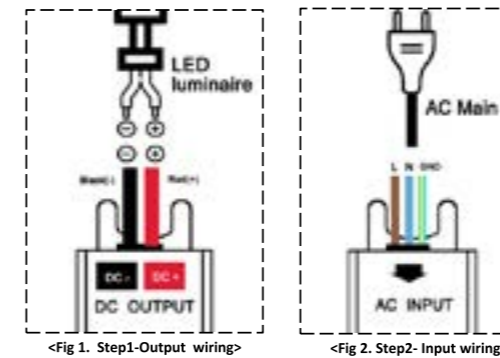
3.1 AC & DC Connection



▲ Caution!

- 3.1.1 Step 1 should be always conducted firstly. If Step2 comes first, a high transient surge current will flow into the LED luminaires and will result in damage on it.
- 3.1.2 Reverse connections, wire crosses and short circuits are strictly prohibited from wiring of input and output cables.
- 3.1.3 All the lines of AC input and DC output from LED driver should be securely connected.

3.2 Wiring



- ① Verify positive + (Red) & negative - (Black) properly. Then, connect the wires of LED luminaire to the +/- output wires of LED driver firmly in accordance with <Figure 1>.
- ② Classify Line(L),Neutral(N) and Ground(GND) respectively from input side of driver. Thereafter, install the ground(Green and yellow) cable securely to the ground. Next, connect the L(Line) and N(Neutral) wires of the driver to AC Main cable.

3.3 Check the assembly

- 3.3.1 Ensure that every wire connections is correct and the heat dissipation is properly addressed within the fixture after product has been installed.
- 3.3.2 Ensure the wiring connections are in an airtight and waterproof. Only after these requirements are sufficiently met, the driver would operate in a proper way.
- 3.3.3 If any phenomenon occurs such as tripping or irregular operation, disconnect the main power and the connection with the luminaires before investigating the problem. If the driver is found to be defective, please replace it or contact SEBO Electronics for resolution.